

Humidity & Temperature Outdoor 1-Wire sensor

A simple digital temperature and humidity sensor for indoor and outdoor usage. The sensor is designed for using with the Poseidon, Ares, HWg-STE and other HW group products.

You can have several parallel sensors on one RJ11 sensor port. Each one sensor is identified by a unique serial number.



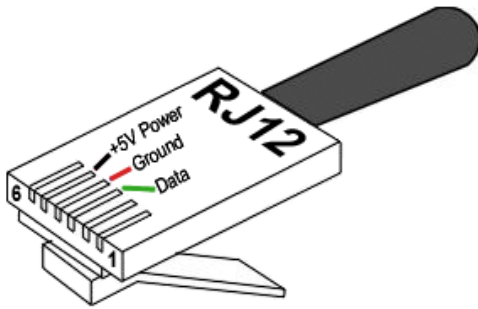
Technical parameters

- **Sensor measured range** **-30°C to +85°C (-22°F to +185°F)**
0-100% RH (Relative Humidity)
- Temp. sensor resolution 0.1 °C
- Temp. measuring accuracy ± **0.8 °C** in range from +20°C to +40°C
± 2.5 °C in range from -30°C to +85°C
- RH Accuracy ± 5% RH, 20-80%RH non-condensing, 25 °C
- RH Linearity <2% RH typical
- RH Hysteresis ±2% RH
- RH Repeatability ±0.2% RH
- Communication 1-Wire bus (Data, GND, +5V) - RJ11 male
- Probe dimension & cable Ø15mm, 125mm long, cable 3m (montage plate 2x Ø3.5mm)
- Outdoor usage Montage the sensor protected from direct rain exposure.

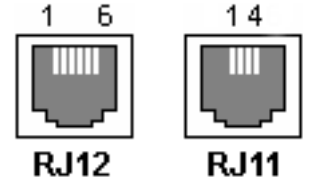
Similar sensors overview

HTemp-1Wire Outdoor 3m	<i>Temperature & Humidity outdoor sensor, 3m cable RJ11 connector.</i>
HTemp-1Wire 3m	<i>Temperature & Humidity sensor, 3m cable RJ11 connector.</i>
HTemp-1Wire Box2	<i>Temperature & Humidity sensor, 2x RJ12 female (can be daisy-chained). Boxed version designed for internal usage</i>
HTemp-1Wire Rack19	<i>Temperature & Humidity sensor, 2x RJ12 female (can be daisy-chained). Designed for 19" rack cabinets usage.</i>
Humid-1Wire 1m / 3m / 10m	<i>Humidity sensor for indoor usage, RJ11 connector, 1m / 3m / 10m cable.</i>

Connectors



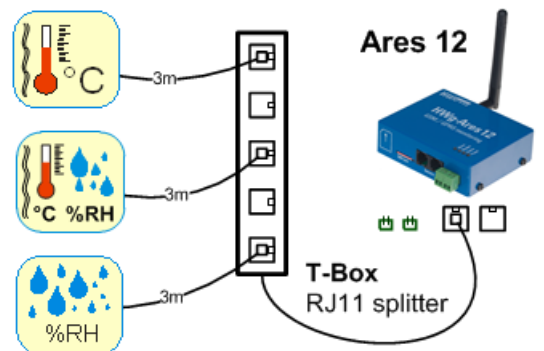
RJ12	RJ11			
3	2	Data	<-->	Data 1-Wire
4	3	GND	---	System Ground
5	4	+5V	---	Power supply



Sensors wiring examples

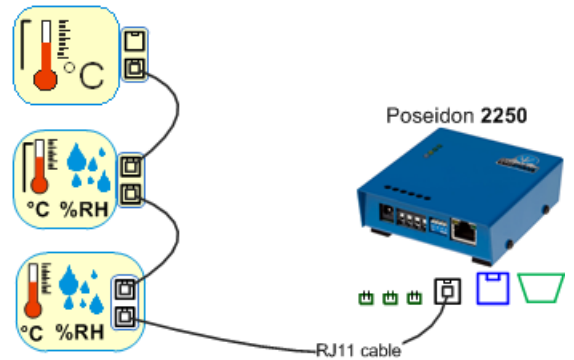
Star topology – 60m in total:

You can use the T-Box or T-Box2 splitters to connect more sensors to one device active port.



Daisy-chained – 60m in total:

There are two RJ11 female connectors on some sensors.



4x active port, 4x60m:

