

HWg HTemp-485 T3411 / T3419

HWg PHTemp-485 T7410

Temperature, humidity, barometric pressure and dew point temperature sensors. IP 65/40 allows outdoor usage. Values are shown on a display and transmitted to a Poseidon unit over RS-485.

Multiple sensors can be connected to a single unit. Sensors can be combined with other types of Poseidon-compatible RS-485 sensors.



HTemp-485 T3419

	Temperature	Humid	Pressure	Dew point
HTemp-485 T3411	-30 to +80°C	✓	✗	✓
HTemp-485 T3419	-30 to +105°C	✓	✗	✓
PHTemp-485 T7410	-30 to +80°C	✓	✓	✓



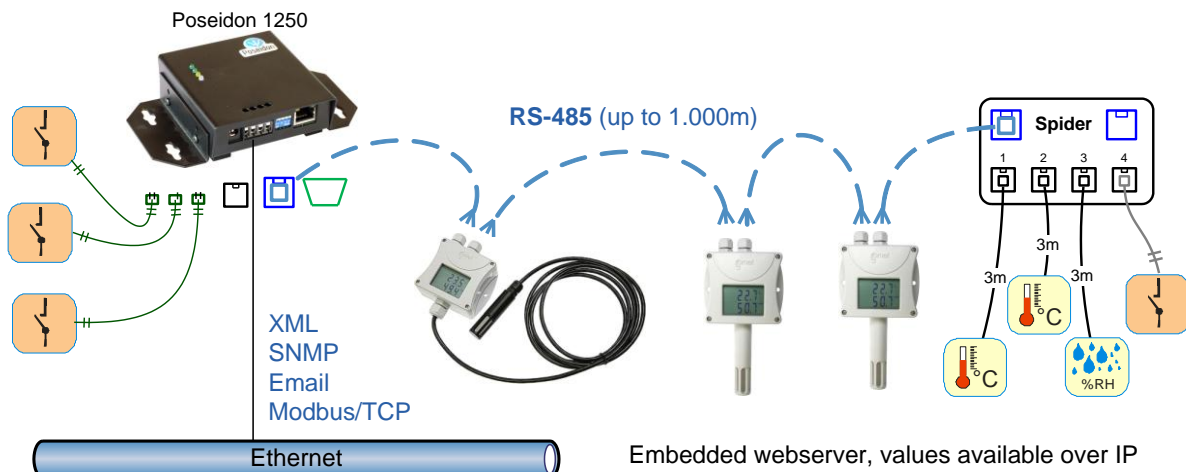
HTemp-485 T3411
PHTemp-485 T7410

Sensors are shipped preconfigured with a RS-485 address in the range of „A; E; I; M; Q; V; a; e; i; m; q; v“, and the HWg Poseidon protocol selected.

Other sensors modes can be configured with the *Tsensor* utility.

Connecting the sensors to Poseidon units

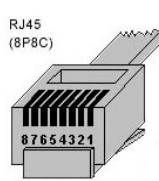
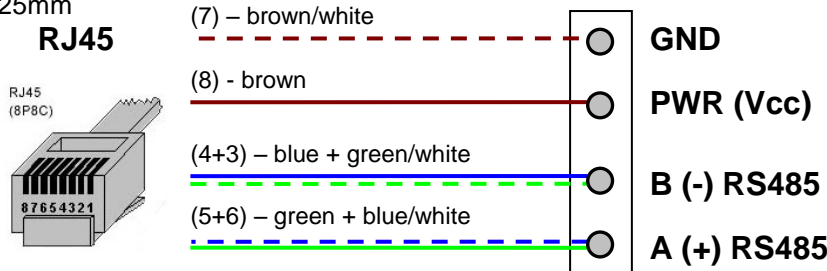
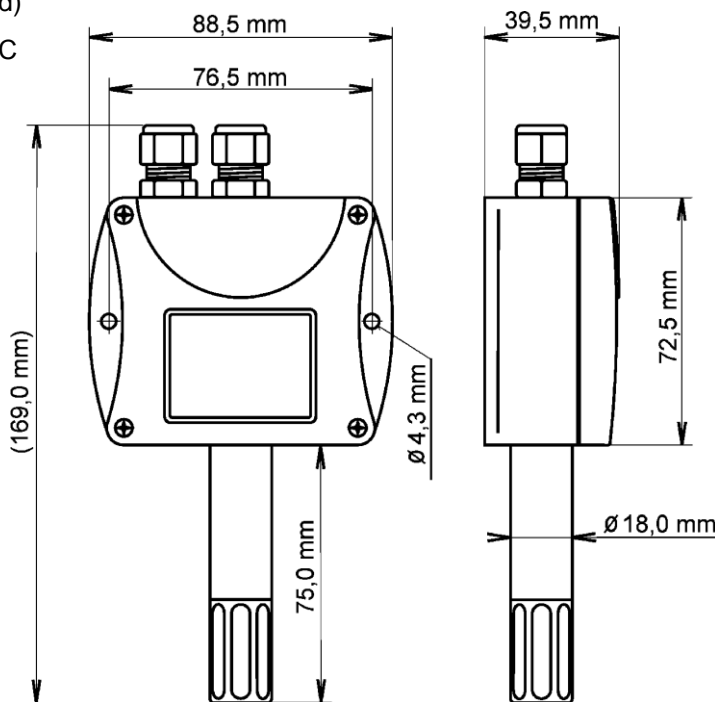
- Sensors can be connected to **Poseidon 1250**
Web server, online access to values over IP (SNMP, Modbus/TCP, XML).
Sends an e-mail, SNMP trap, or SMS (local GSM modem) upon reaching a specified value.
- Sensors can be connected to **Poseidon 2251**
Web server, online access to values over IP (Modbus/TCP, XML).
Poseidon sends an e-mail or SMS (local GSM modem) upon reaching a specified value.
Logger: Values are logged at specified intervals and e-mailed in a CSV file.



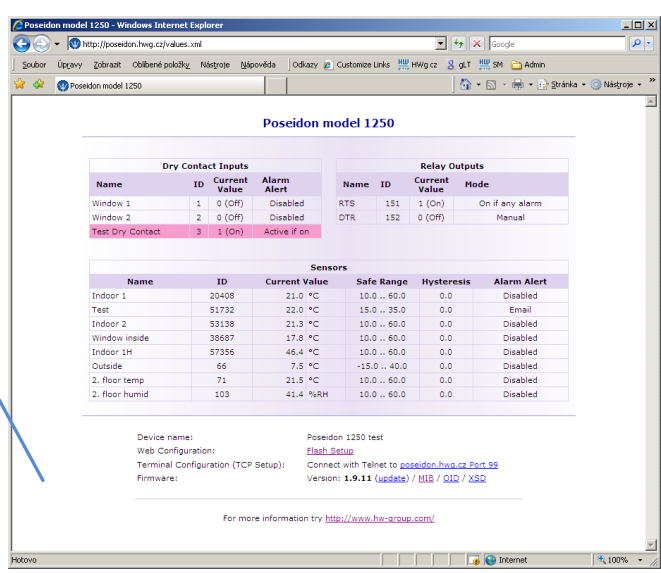
Embedded webservice, values available over IP

Technical specifications

- **Power:** 9..30V / 0.5W (RS-485 is electrically isolated)
- **Temperature sensor:** Resistor, Pt1000-3850ppm/°C
- **LCD display:** Displays temperature and humidity
- **Ambient operating temperature:** -30 to +70°C
 - **Measurement accuracy:** ±0.4°C
- **Relative humidity range:** 0 to 100%
 - **Measurement accuracy:** ±2.5%RH (5..95% / 23°C)
 - **Temperature compensation:** -30 to +125°C
- **IP Protection:**
 - **Probe: IP40** (humidity and temperature)
Sensor location have influence to precision.
 - **Box with connectors and display: IP65** (IP54 for T7410, pressure probe inside)
- **Filtering ability of the sensor cover:** 0.025mm
- **RS-485:** Impedance 96kΩ
 - HWg-Poseidon protocol: 9600 8N1
 - **To display the address**
Open the jumper, shortly press the button inside the sensor. The display shows the ASCII code of the first address letter (A = 65).
 - Connects directly to the RJ45 jack of the Poseidon unit.
 - The sensor body is equipped with two cable glands and two RS-485 bus connectors for easy daisy-chaining.



Poseidon 1250 Web interface with a HWg HTemp-485 T3411 connected



Product ordering numbers		
600 368	HWg HTemp-485 T3411	Temperature and humidity sensor, with a display. Outdoor usage with IP40 for probe limitation.
600 369	HWg HTemp-485 T3419	Temperature and humidity sensor, 1m cable, with a display. Outdoor usage with IP40 for probe limitation.
600 370	HWg PHTemp-485 T7410	Temperature, humidity and pressure sensor, indoor version, with a display.